

Installation Instructions

Use this part to close air flow when setting 3-way or 2-way air discharge, or connecting the duct connection flange ($\phi 150$) according to the situation of the unit installation.

<NOTE> When using an optional high-performance filter, a filter grille or a natural evaporation type humidifier, it is impossible to shift the 3-way or 2-way air discharge or make a connection of duct connection flange ($\phi 150$).

1. Use

- Close off in case of 3-Way or 2-Way Air Discharge
- Close off in case of connecting the duct connection flange ($\phi 150$)

2. List of Parts

Supplied parts	Dimensions	Shape	Q'ty
part to close air flow	490×70×T40		2
Packing	650×100×T2		2
Short-circuit connector			1
Instructions		Instructions & Change Procedures of DC Fan Tap	2

3. Installation

When using the part to close air flow, follow the change procedures of DC Fan Tap and change the fan tap. If not changed, air discharge temperature in the cooling mode drops due to the reduction in airflow. This may result in condensation forming.

(1) Indoor Unit Installation

- Install the indoor unit in the ceiling. (Install the indoor unit according to instructions supplied with the indoor unit.)

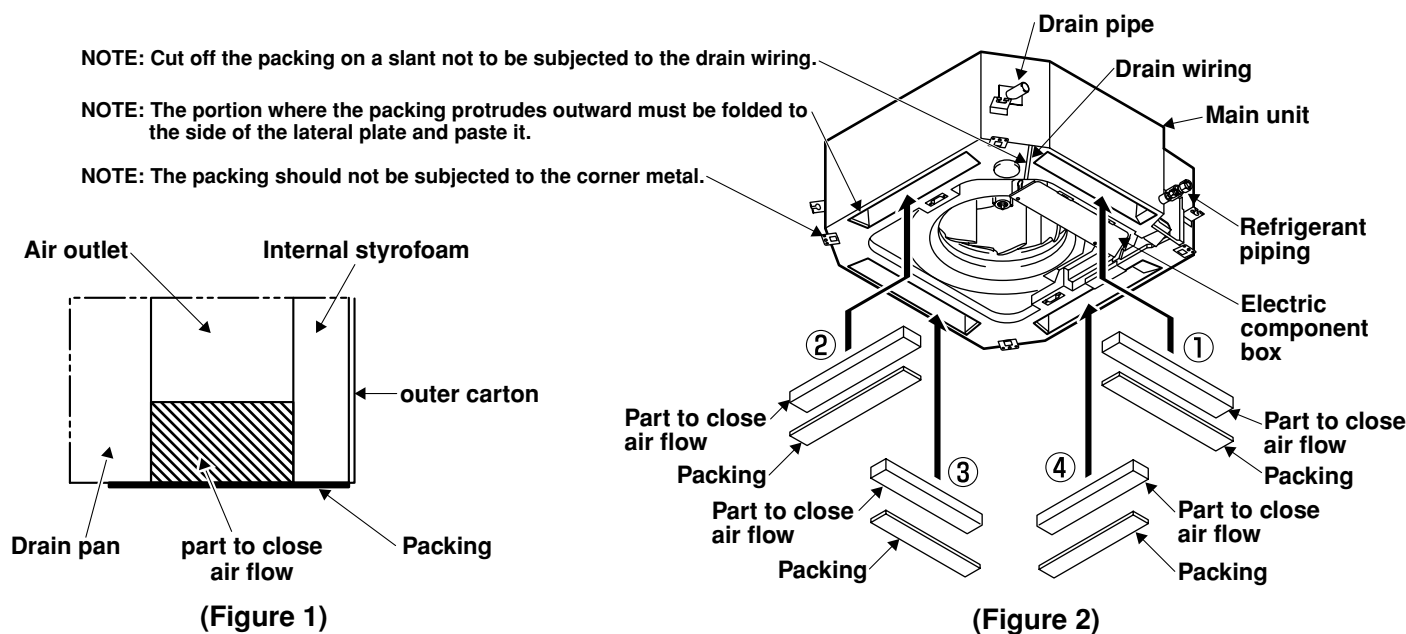
(2) Cut off the part to close air flow and the packing according to the installation dimensions as shown in the right table.

Be careful as the dimensions are different due to the installation location. Be careful they should be no shorter than the installation dimensions. The excessive cut may result in condensation forming.

(3) Part to close air flow Installation

- Insert the part to close air flow into the air outlet (styrofoam) of the indoor unit and apply the packing and close. (See Figure 1 and 2.)
- Paste the packing to cover the internal styrofoam in the unit more than 15mm. (If not covered over 15mm, this may result in condensation forming.)

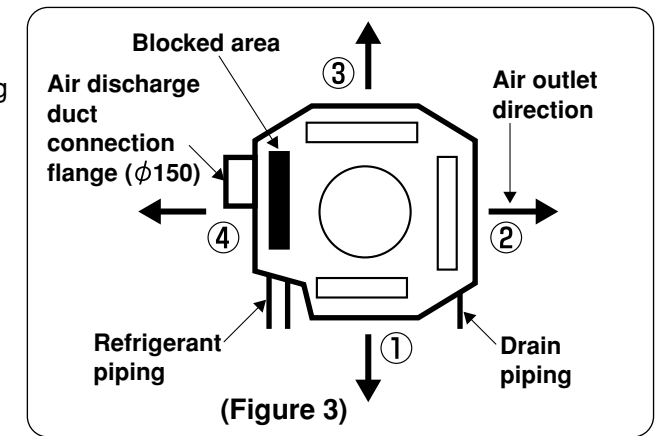
Installation location	Name	Installation dimension
①	part to close air flow	450×70
	Packing	490×100
②	part to close air flow	490×70
	Packing	610×100
③	part to close air flow	490×70
	Packing	650×100
④	part to close air flow	400×70
	Packing	620×100



(4) Block Pattern of Air Outlet (seen from the unit bottom)

- In case of 3-way or 2-way air discharge and connecting the duct connection flange ($\phi 150$), block the air outlet according to the block pattern of air outlet as shown below. Also, select the appropriate piping position referring to the following table. (See Figure 3 to correctly understand the illustration.)

Be careful not to cause condensation, cool wind leak and insulation shortage when installing the duct connection flange ($\phi 150$).



- Do not apply any other block pattern of air outlet as listed below.

3-way air discharge Capable of blocking 1 direction				
2-way air discharge Capable of blocking 2 directions				
Connecting air outlet duct connection flange ($\phi 150$) 3-way air discharge Connectable to duct with blocking 1 direction				
Connecting air outlet duct connection flange ($\phi 150$) 2-way air discharge Connectable to duct with blocking 2 directions				
NOTE: Capable of duct connection at only one location				

(5) Setting Changes of DC Fan Tap

- Make settings of the wired remote control, timer remote control or indoor unit control P.C. board (using supplied short-circuit connector) according to separate instructions.
- Make settings of 3-way air discharge and 2-way air discharge according to separate instructions.