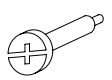





Installation Instructions

1. Accessories

- Check that the following parts are in the box when unpacking.

Supplied parts	Q'ty	Remarks
Installation screws (5x40) 	4	Fixture for filter chamber
Washer 	4	Fixture for filter chamber
Short-circuit connector 	1	
Instructions 	Each	Installation Instructions, Fan tap

2. Installation

<NOTE>

Be careful handling the unit when installing it inside the ceiling.

Use particular care to avoid allowing any impact to strike the side of the filter chamber, as this can result in damage.

<NOTE>

Remove the cardboard inserted in the air outlet (4 locations) before installation.

(1) Installing Filter Chamber (Figure 1)

- Align the black sealing material on the filter chamber with the indoor unit.
(The filter chamber must be installed in a specific direction, therefore align the shape of the filter chamber with the shape of the indoor unit.)
- Fasten with the supplied installation screws (x4).

(2) Installing Indoor Unit

- Install the indoor unit (attached to the filter chamber) in the ceiling.
(Install the indoor unit according to instructions supplied with the indoor unit.)

(3) Installing Ceiling Panel (Figure 2)

- Install the ceiling panel to the chamber.
(Install the ceiling panel according to instructions supplied with the ceiling panel.)
- First cut off the bundled clumper and insert the ceiling panel 22P (white) connector into the through-hole of the chamber. Then connect it to the 22P connector in the electric component box.

