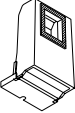
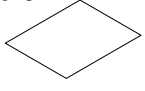
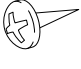
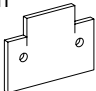
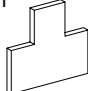
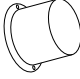


Installation Instructions

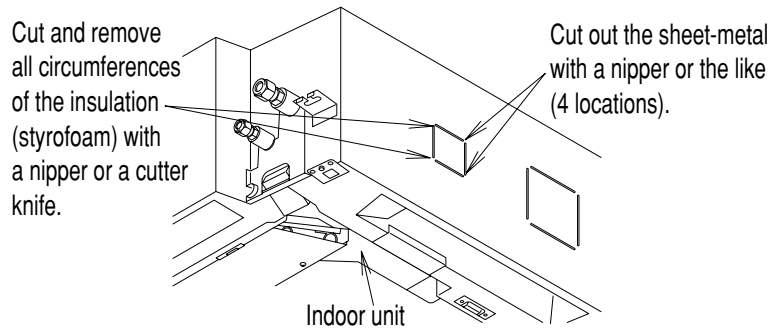
1. Accessories

Supplied parts	Q'ty	Supplied parts	Q'ty	Supplied parts	Q'ty
Connecting box for main unit 	1	Instructions 	1	Installation screw (4 x 10) 	4
Sealing insulation "A" 	2	Sealing insulation "B" 	2	Duct connection flange (φ100, for fresh air intake) 	1

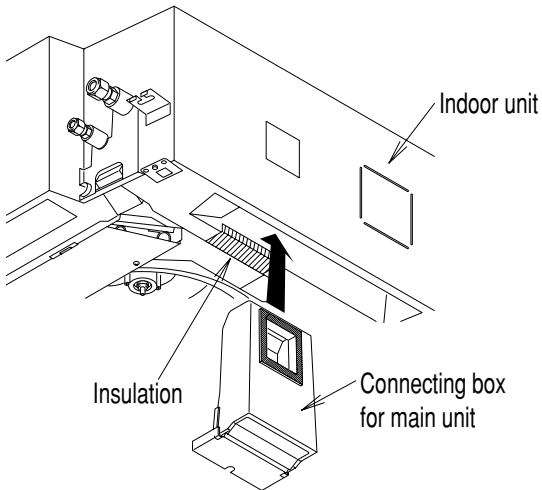
2. Installation

(1) Cut and remove the sheet-metal together with an insulation (styrofoam) with a nipper or a cutter knife paying attention to the incision as a marker on the indoor unit.

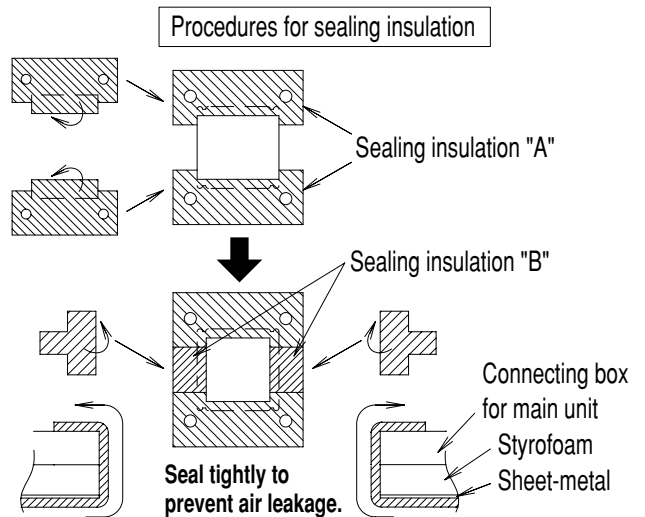
NOTE: When cutting out the styrofoam, do not insert the blade more than 30mm depth. (If the inside of the drain pan is damaged, this will result in water leakage.) Also, be careful not to let the chips invade the unit.



(2) Peel off the insulation of the shaded portion and insert the connecting box for the main unit from the air outlet of the main unit.



(3) If there is a space between the styrofoam and the sheet-metal, this will result in condensation forming. First seal the supplied insulation "A" to meet the hole of the screw and then seal that of "B".



(4) Fasten the flange to the indoor unit supplied with the installation screws (x4).

