

Parts List

Panasonic[®]

File No.

Air Conditioner

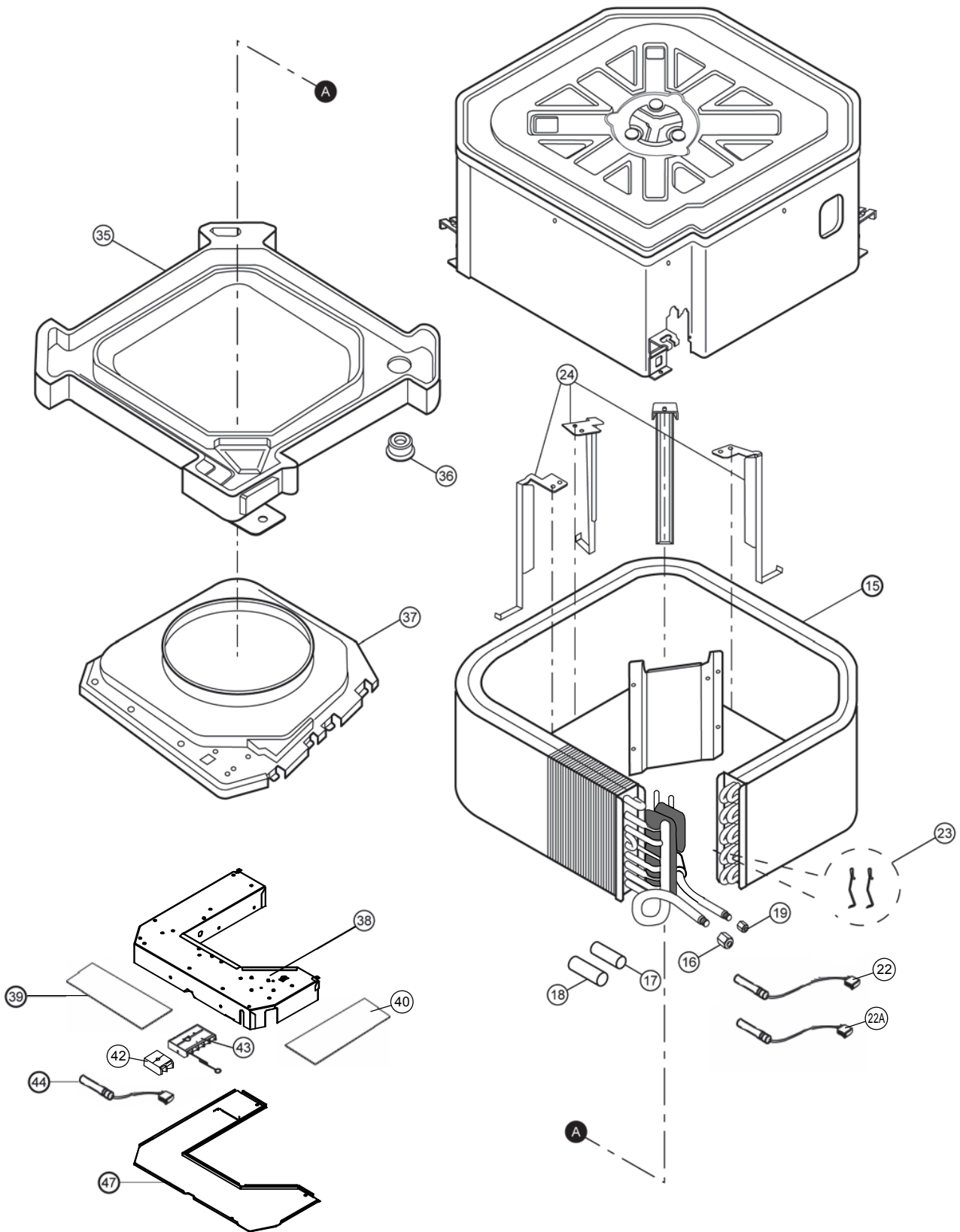
REFERENCE No.PAPAMY1411003DE

Contents

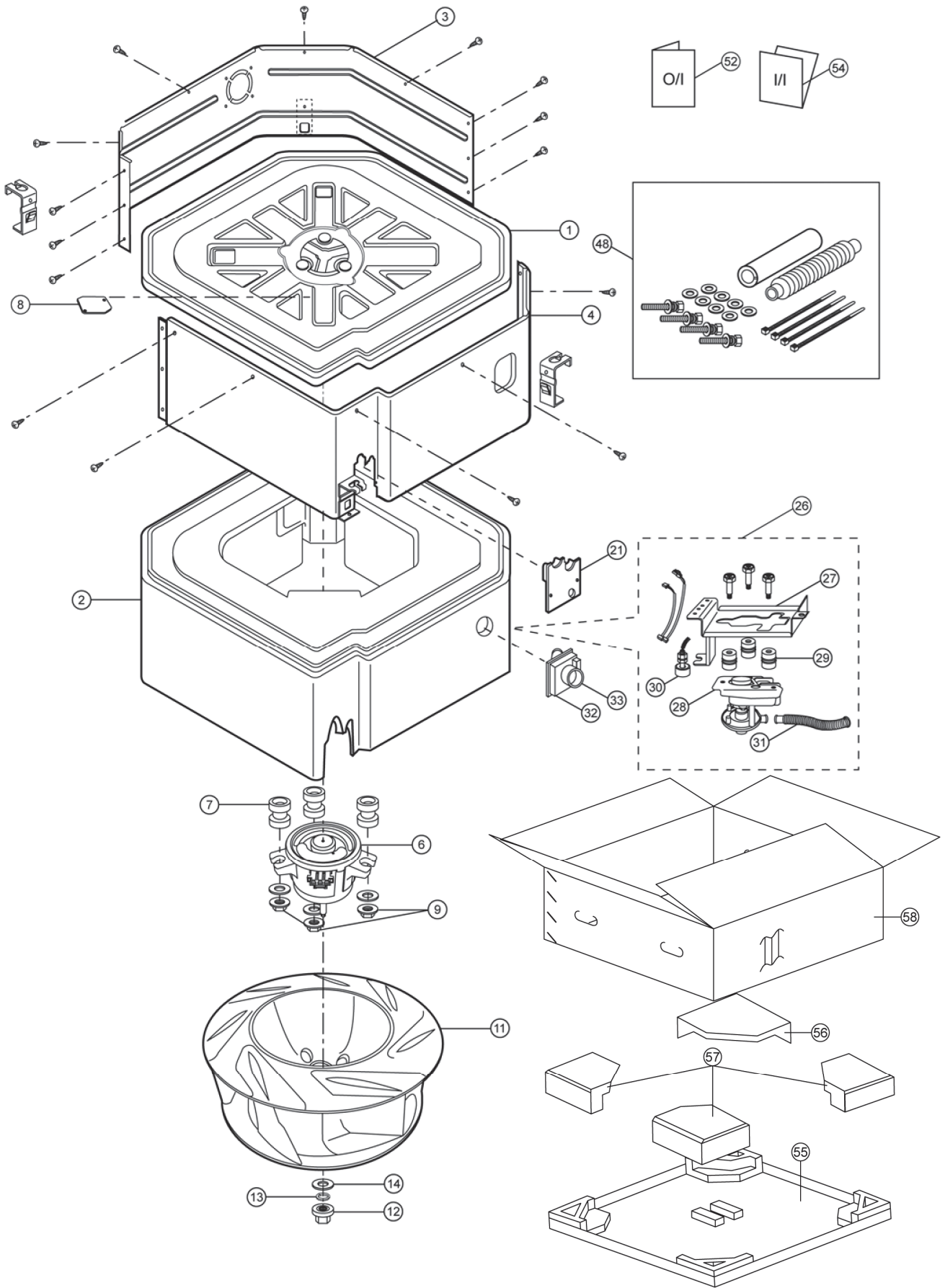
Model No.	Prod. Code	Volt-Phase-Hertz	Country of Origin	Page
S-36PY2E5A	39685	220/230/240V 1N~50Hz	Made in Malaysia	2~4
S-45PY2E5A	39686	220/230/240V 1N~50Hz	Made in Malaysia	2~4
S-50PY2E5A	39687	220/230/240V 1N~50Hz	Made in Malaysia	2~4
CZ-KPY3A	80928	-	Made in Malaysia	5~6
CZ-KPY3B	80940	-	Made in Malaysia	7~8

1. Exploded View and Replacement Parts List

1.1 Indoor Unit (S-36PY2E5A S-45PY2E5A S-50PY2E5A)



Note
The above exploded view is for the purpose of parts disassembly and replacement.
The non-numbered parts are not kept as standard service parts.



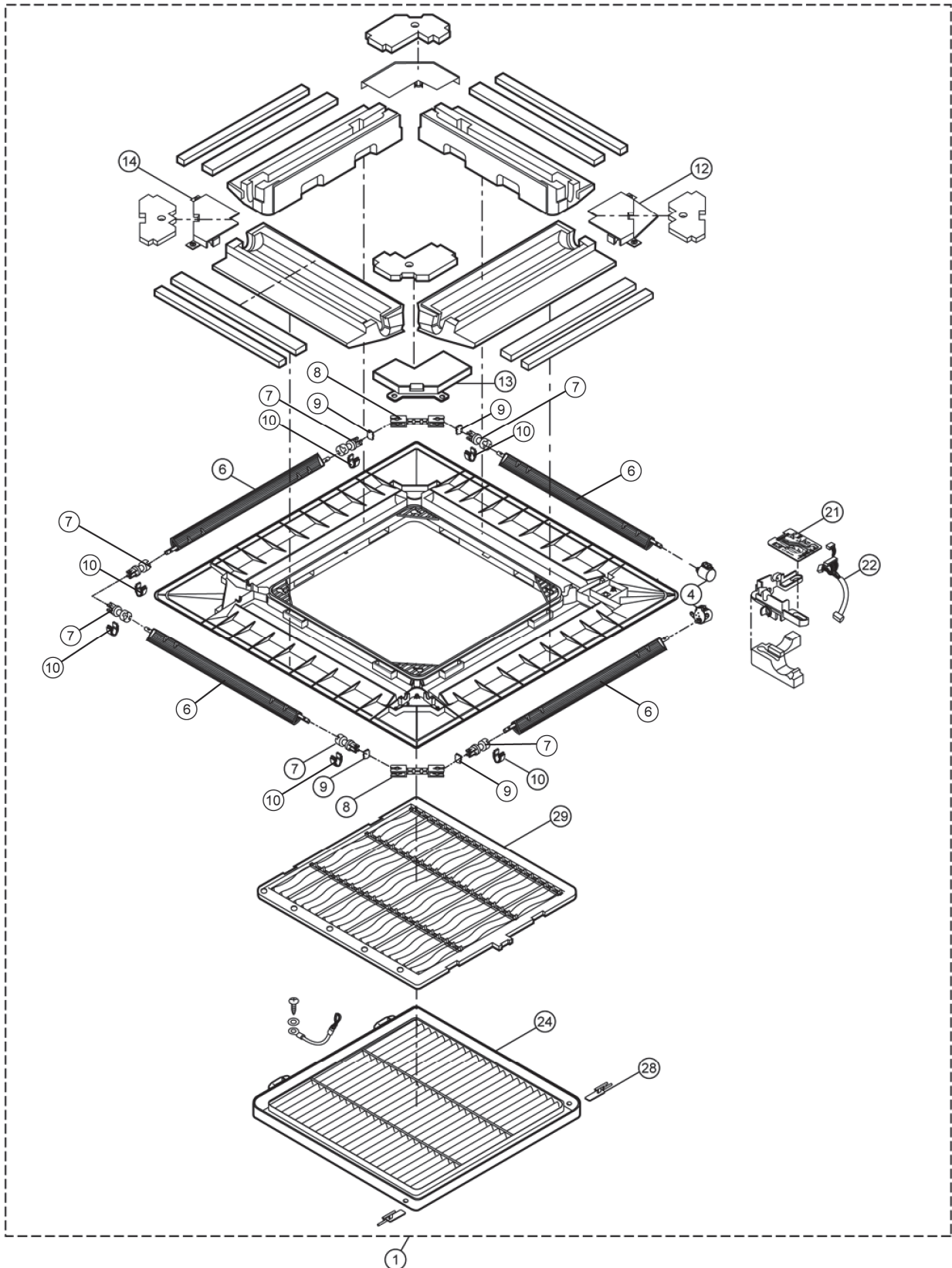
Note
 The above exploded view is for the purpose of parts disassembly and replacement.
 The non-numbered parts are not kept as standard service parts.

SAFETY	REF. NO.	PART NAME & DESCRIPTION	QTY.	S-36PY2E5A	S-45PY2E5A	S-50PY2E5A	REMARK
	1	BASE PAN ASS'Y	1	CWD52K1100	←	←	
	2	INNER POLYSTYRENE COMPLETE	1	CWG07C1047	←	←	
	3	CABINET SIDE PLATE ASS'Y	1	CWE041121	←	←	
	4	CABINET SIDE PLATE ASS'Y	1	CWE041759	←	←	
⚠	6	FAN MOTOR	1	L6CBYYL0097	←	←	O
	7	ANTI - VIBRATION BUSHING	3	CWH501105	←	←	
	8	CORD HOLDER	1	CWD741024	←	←	
	9	SCREW - FAN MOTOR	3	CWH561058	←	←	
	11	TURBO FAN	1	CWH03K1022	←	←	
	12	NUT for TURBO FAN	1	CWH561042	←	←	
	13	SPRING WASHER	1	XWA8BFJ	←	←	
	14	PLAIN WASHER	1	XWG8H22FJ	←	←	
	15	EVAPORATOR COMPLETE	1	CWB30C4972	←	←	
	16	FLARE NUT (1/2")	1	CWT251032	←	←	
	17	HEATPROOF TUBE	1	CWG021024	←	←	
	18	HEATPROOF TUBE	1	CWG021064	←	←	
	19	FLARE NUT (1/4")	1	CWT251030	←	←	
	21	PIPE COVER	1	CWD93C1099	←	←	
	22	SENSOR CO. (HEAT EXCHANGER TEMP - E1)	1	CWA50C3268	←	←	O
	22A	SENSOR CO. (HEAT EXCHANGER TEMP - E2)	1	CWA50C3269	←	←	O
	23	HOLDER SENSOR	1	CWH32143	←	←	
	24	EVAPORATOR SUPPORTER	3	CWD911529A	←	←	
	26	DRAIN PUMP COMPLETE	1	CWB53C1043	←	←	O
	27	PANEL DRAIN PUMP ASS'Y	1	CWD93K1021	←	←	
	28	DRAIN PUMP	1	CWB532113	←	←	O
	29	ANTI - VIBRATION BUSHING	3	CWH501080	←	←	
	30	FLOAT SWITCH - DRAIN PUMP	1	CWA121328	←	←	O
	31	FLEXIBLE PIPE	1	CWH85C1033	←	←	
	32	DRAIN NOZZLE	1	CWH411011	←	←	
	33	DRAIN HOSE HEAT INSULATION	1	CWG321050	←	←	
	35	DRAIN PAN - COMPLETE	1	CWH40C1071	←	←	
	36	DRAIN PLUG	1	CWB821008	←	←	
	37	AIR GUIDER BLOWER WHEEL	1	CWD321110	←	←	
	38	CONTROL BOARD CASING	1	CWH10K1195	←	←	
⚠	39	ELECTRONIC CONTROLLER - POWER	1	CWA747335	←	←	
⚠	40	ELECTRONIC CONTROLLER - MAIN	1	CWA73C8861	CWA73C8862	CWA73C8863	O
⚠	42	TERMINAL BOARD ASS'Y (L, N)	1	CWA28K1042J	←	←	O
⚠	43	TERMINAL BOARD ASS'Y (U1, U2, R1, R2)	1	CWA28K1292	←	←	O
	44	SENSOR CO. (AIR TEMP SENSOR - TA)	1	CWA50C3244	←	←	O
	47	CONTROL BOARD COVER	1	CWH13C1341	←	←	
	48	ACCESSORY COMPLETE	1	CWH82C1270	←	←	
	52	OPERATING INSTRUCTION	1	CWF569764	←	←	
	54	INSTALLATION INSTRUCTION	1	CWF616537	←	←	
	55	BASE BOARD - COMPLETE	1	CWG62C1111	←	←	
	56	SHOCK ABSORBER	1	CWG712509	←	←	
	57	SHOCK ABSORBER	3	CWG712510	←	←	
	58	C.C.CASE	1	CWG580837	←	←	

Note:


- All parts are supplied from PAPAMY, Malaysia (Vendor Code: 00029488)
- "O" marked parts are recommended to be kept in stock.

1.2 Front Grille Complete (CZ-KPY3A)



Note

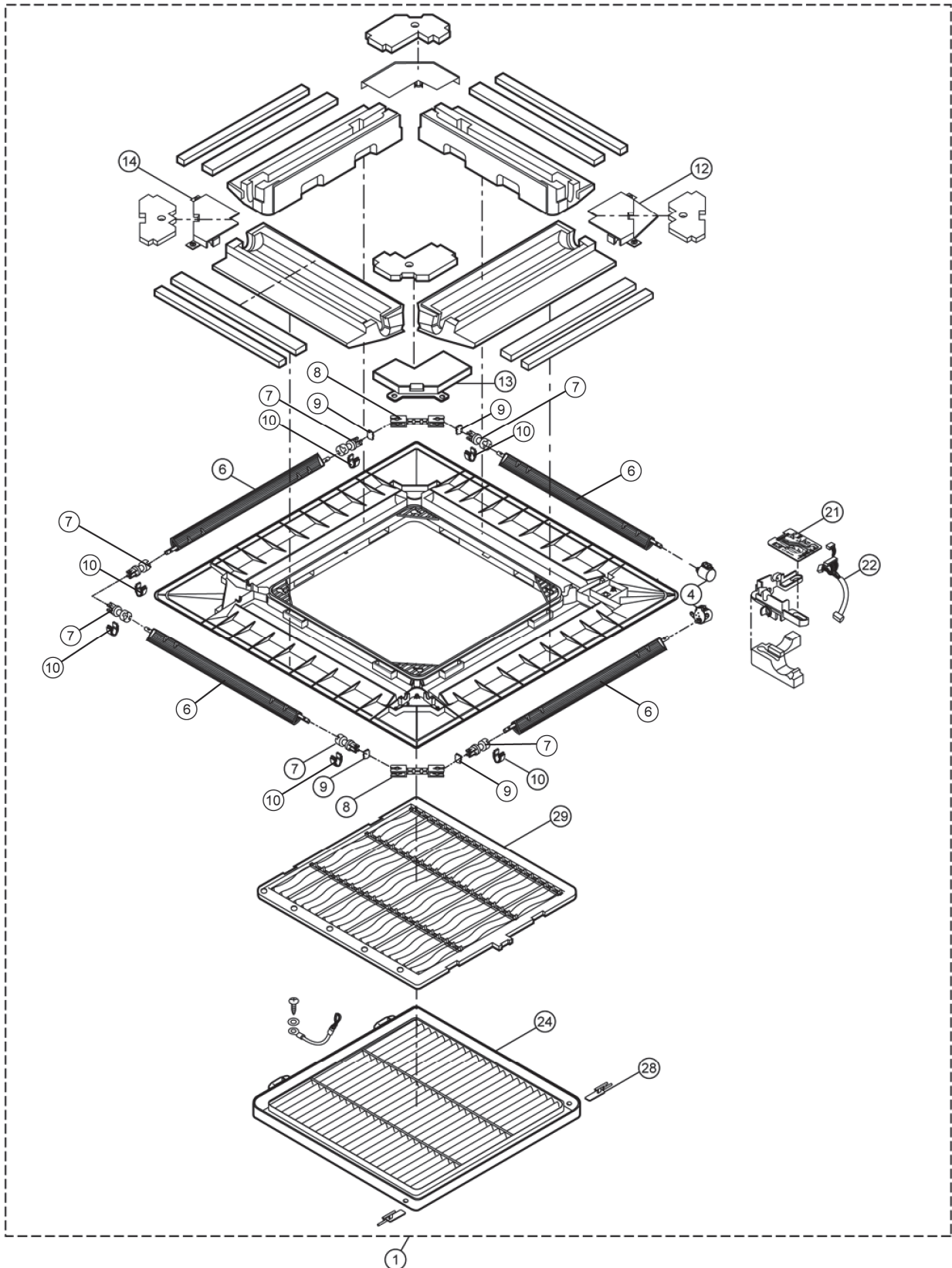
The above exploded view is for the purpose of parts disassembly and replacement.
The non-numbered parts are not kept as standard service parts.

SAFETY	REF. NO.	PART NAME & DESCRIPTION	QTY.	PART NO.	REMARK
	1	FRONT GRILLE - COMPLETE	1	CWE11C5507	O
	4	A.S MOTOR DC SINGLE 12V 250 OHM	2	CWA981105J	O
	6	VANE	4	CWE241159	
	7	SHAFT	6	CWH631038	
	8	SHAFT	2	CWH631045	
	9	CONNECTOR - SHAFT	4	CWH081007	
	10	BEARING	6	CWH641008	
	12	PLATE COVER FOR A.S.MOTOR	1	CWD911459	
	13	PLATE COVER FOR CONNECTING SHAFT	2	CWD911460	
	14	PLATE COVER FOR END SHAFT	1	CWD911461	
	21	ELECTRONIC CONT. (RECEIVER & INDICATOR)	1	CWA747328	
	22	LEAD WIRE - COMPLETE	1	CWA68C1086	
	24	INTAKE GRILLE	1	CWE221386	
	28	LEVER ARM	2	CWH651029	
	29	AIR FILTER	1	CWD001142	O


Note:

- All parts are supplied from PAPAMY, Malaysia (Vendor Code: 00029488)
- "O" marked parts are recommended to be kept in stock.

1.3 Front Grille Complete (CZ-KPY3B)



Note
The above exploded view is for the purpose of parts disassembly and replacement.
The non-numbered parts are not kept as standard service parts.

SAFETY	REF. NO.	PART NAME & DESCRIPTION	QTY.	PART NO.	REMARK
	1	FRONT GRILLE - COMPLETE	1	CWE11C5986	O
	4	A.S MOTOR DC SINGLE 12V 250 OHM	2	CWA981105J	O
	6	VANE	4	CWE241159	
	7	SHAFT	6	CWH631038	
	8	SHAFT	2	CWH631045	
	9	CONNECTOR - SHAFT	4	CWH081007	
	10	BEARING	6	CWH641008	
	12	PLATE COVER FOR A.S.MOTOR	1	CWD911459	
	13	PLATE COVER FOR CONNECTING SHAFT	2	CWD911460	
	14	PLATE COVER FOR END SHAFT	1	CWD911461	
	21	ELECTRONIC CONT. (RECEIVER & INDICATOR)	1	CWA747328	
	22	LEAD WIRE - COMPLETE	1	CWA68C1086	
	24	INTAKE GRILLE	1	CWE221386	
	28	LEVER ARM	2	CWH651029	
	29	AIR FILTER	1	CWD001142	O

Note:

- All parts are supplied from PAPAMY, Malaysia (Vendor Code: 00029488)
- "O" marked parts are recommended to be kept in stock.